



OVERVIEW

The ZX-HUB 4 way Network Hub provides a convenient means of connecting peripheral devices to the PubMix digital control Network. The four RJ45 connectors allow star connection of ZX-MR1, R1 and R2 remote controllers, GPI, GPO and RS232 modules using CAT5 cables. Alternatively Network connections can be made via on-board IDC (Insulation Displacement Connection) terminals.

The IDC terminals can be used with solid core or multi-stranded wire and two wires of the same dimensions can be terminated to each contact.

In situations where long cable runs are used, the Network voltage may drop below the minimum required by the various peripheral devices. The ZX-HUB has been designed to provide a means of connecting an external power source to the Network. The NETWORK POWER indicator flashes to show that Network voltage has fallen below 6.5V and indicates that an external power supply is required.

A pair of RJ45 connectors are provided to allow easy integration into the PubMix control network.

KEY FEATURES

CAT5 cable or IDC wired connections

External power connection to Network

Network power, Network BUSY and External DC indicators

SPECIFICATIONS

ELECTRICAL

Power requirements Ext. DC: +9V min, +18V max

Indicators Network BUSY
Network POWER
External DC

PHYSICAL

Network connectors RJ45 to suit CAT5 cables

IDC: BT239A, to suit solid wire diameter 0.4 - 0.65mm or 7 strand 0.15 - 0.25 diameter

Power connector: 2.1mm pin DC jack, wired centre pin hot (+ve)

Size: 154W x 80 D x 30 H

Weight: TBA

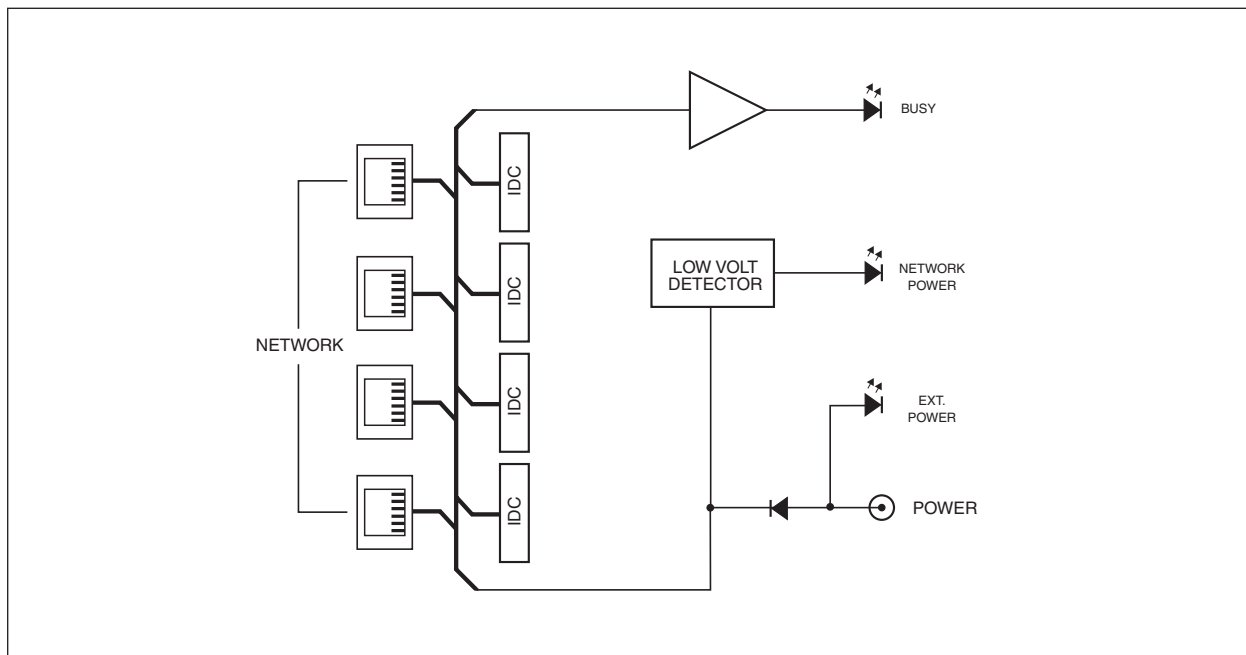
Temperature: Operating 0°C to 50°C
Storage -30°C to 75°C

In keeping with our policy of continuous improvement LA Audio reserves the right to alter specifications without prior notice. Manufactured in the UK by LA Audio, 40 Chigwell Lane, Loughton, Essex, IG10 3NY, UK.

Tel: +44 (0)208 418 0778, FAX: +44 (0)208 418 0624. Web: www.laaudio.co.uk. email: sales@laaudio.co.uk

An SCV International Group Company

BLOCK DIAGRAM



DIMENSIONS

