



OVERVIEW

The ZX-GPI-1 has nine remote control inputs for use with the PubMix on the digital control NETWORK. Inputs 1-6 are assigned to source selection and the other three are for Volume + (up), Volume - (down) and Mute functions. This module can therefore provide external control of the same functions as the ZX-R2 Remote Controller i.e. six source selections, Volume up-down and MUTE.

Channel ID is similar to the ZX-R2 i.e. the ZX-GPI can be set to operate on a single PubMix output channel or on Groups of outputs (Zones) and Sub-ID settings allow more than one GPI to operate on the same output channel/s.

Each input is opto isolated and can be configured to be operated by an external voltage source or switch contacts. Power for switched mode can be either the internal 5V supply or an external source, via the EXTERNAL POWER connector.

The polarity of each channel can be selected to give a normally low or normally high depending on whether the input is active or not. Led indicators show the status of each channel during normal operation.

A pair of RJ45 connectors are provided to allow easy integration into the PubMix control network. All Inputs are on pluggable Phoenix type connectors with screw terminal cable connections.

KEY FEATURES

6 source select, Volume up, Volume down and Mute functions

External voltage or switch operation

Separate power supply connection for switching mode

Input status leds

Screw terminal, Phoenix plug-in cable connectors per channel

SPECIFICATIONS

ELECTRICAL

Max. input voltage	30Vac/dc
Max. switch current	10mA
Power Requirements	
Via Network RJ45	+6.5V minimum
Power NETWORK	+9Vdc min, +18Vdc max
Power EXTERNAL	+30Vdc max

PHYSICAL

Input Connectors	Pluggable Phoenix, 3 way
------------------	--------------------------

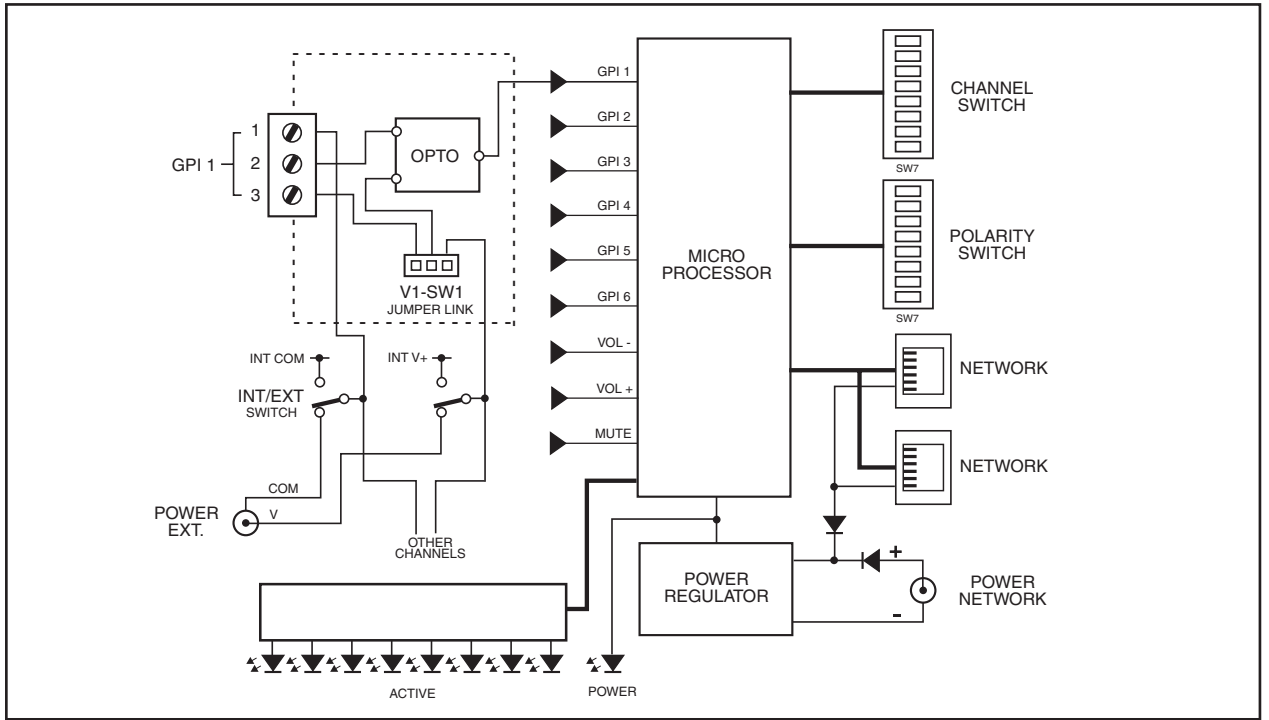
Network connectors	RJ45 to suit CAT5 cables
Power connectors	2.1mm pin DC jack, wired centre pin hot (+ve)
Size	202 W x 86 D x 40 H
Weight	TBA
Temperature	Operating 0°C to 50°C Storage -30°C to 75°C

In keeping with our policy of continuous improvement LA Audio reserves the right to alter specifications without prior notice. Manufactured in the UK by LA Audio, 40 Chigwell Lane, Loughton, Essex, IG10 3NY, UK.

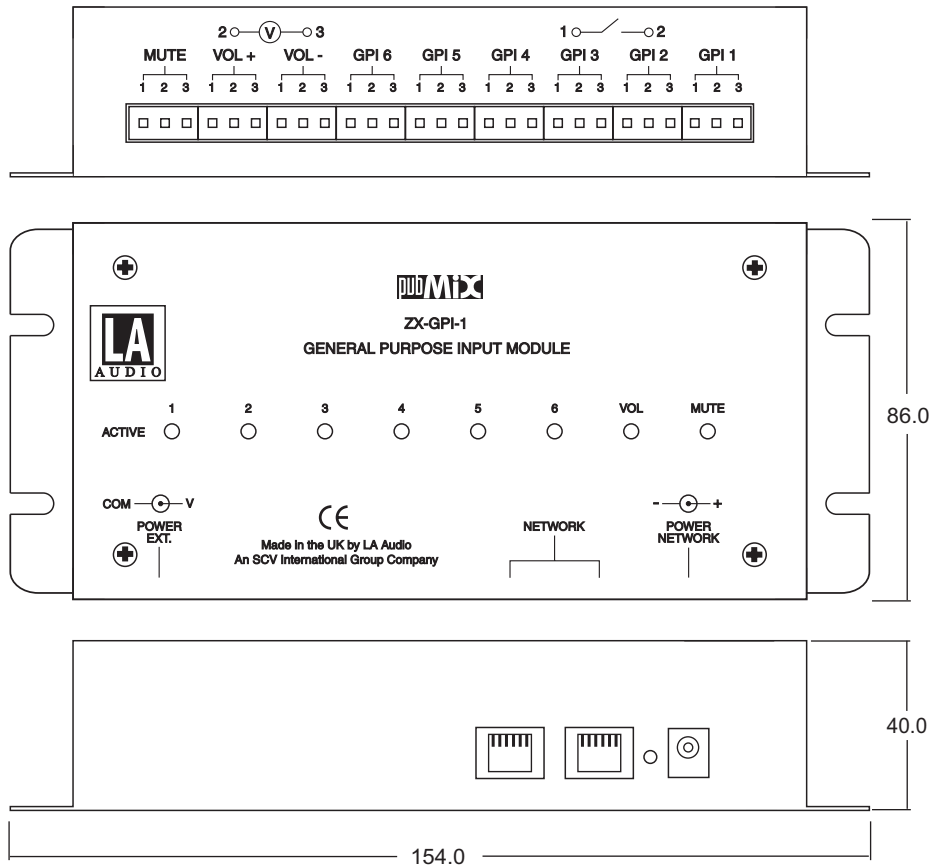
Tel: +44 (0)208 418 0778, FAX: +44 (0)208 418 0624. Web: www.laaudio.co.uk. email: sales@laaudio.co.uk

An SCV International Group Company

BLOCK DIAGRAM



DIMENSIONS



In keeping with our policy of continuous improvement LA Audio reserves the right to alter specifications without prior notice. Manufactured in the UK by LA Audio, 40 Chigwell Lane, Loughton, Essex, IG10 3NY, UK. Tel: +44 (0)208 418 0778, FAX: +44 (0)208 418 0624. Web: www.laaudio.co.uk. email: sales@laaudio.co.uk
An SCV International Group Company