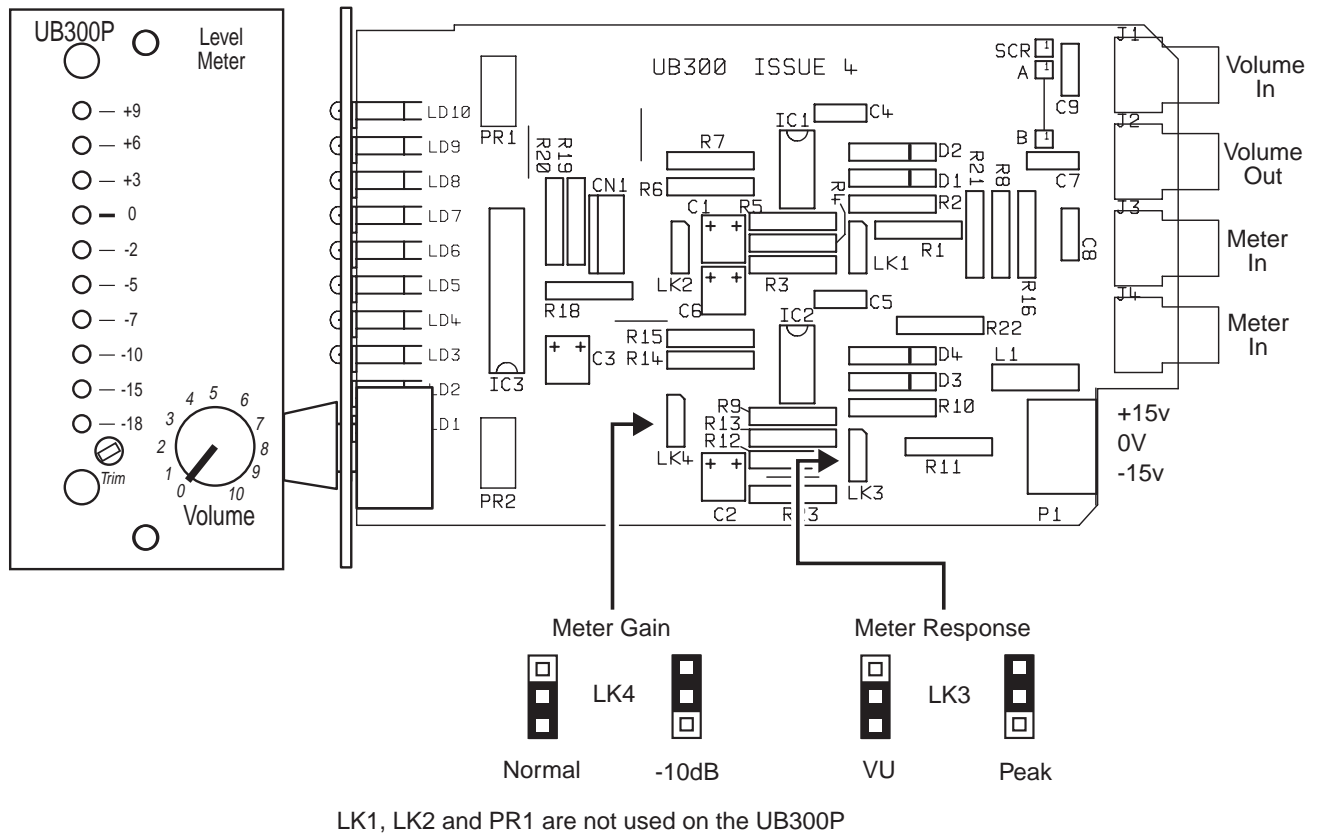


# UB300P Volume control and Level meter

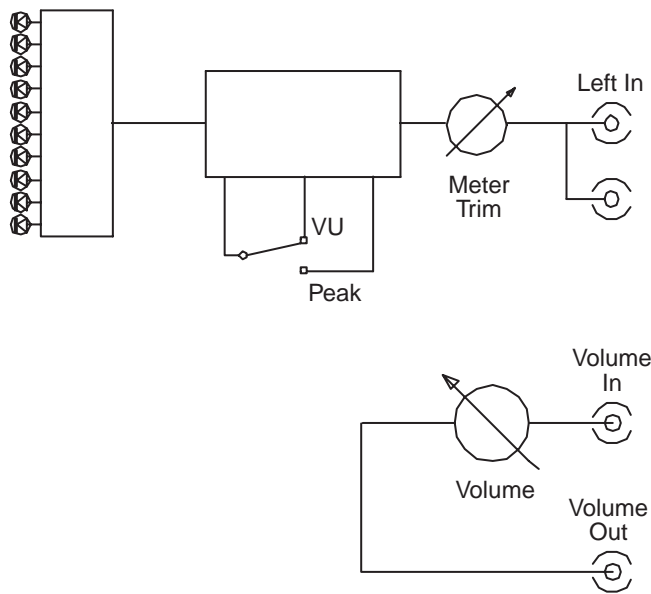
The UB300P has a 10 segment, three colour led display and a front panel volume control. The ballistics of the meter can be selected to either Peak or VU and calibrated via a front panel trimmer.

It can be used with a line module such as the UB285 to provide gain control and level metering.

## CONNECTIONS AND CONTROLS



## BLOCK DIAGRAM



## SPECIFICATIONS

Frequency Response	+0/-1dB, 20Hz to 40kHz
Input impedance	100k unbalanced
Input level	-10dBu to +8dBu
Rise time	10ms Peak 300ms VU
Release time	2s Peak 400ms Vu

POWER SUPPLY      +/-15V @ 30mA



In keeping with our policy of continuous improvement LA Audio reserves the right to alter specifications without prior notice. Manufactured in the UK by LA Audio, 6-24 Southgate Road, London, N1 3JJ.

Tel: +44 (0)207 923 7447, FAX: +44 (0)207 241 3644. Web: [www.laaudio.co.uk](http://www.laaudio.co.uk). email: [sales@laaudio.co.uk](mailto:sales@laaudio.co.uk)

An SCV International Group Company

Rev 1.0 11/00.