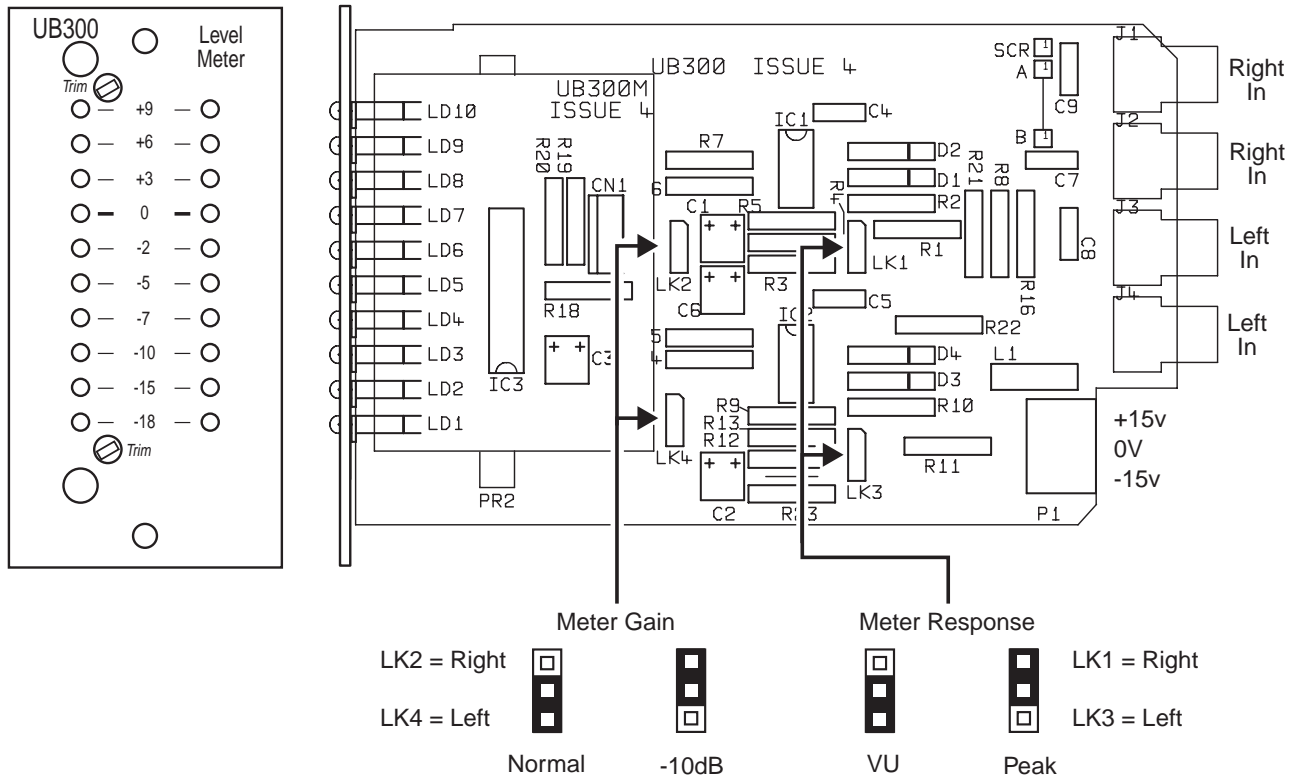


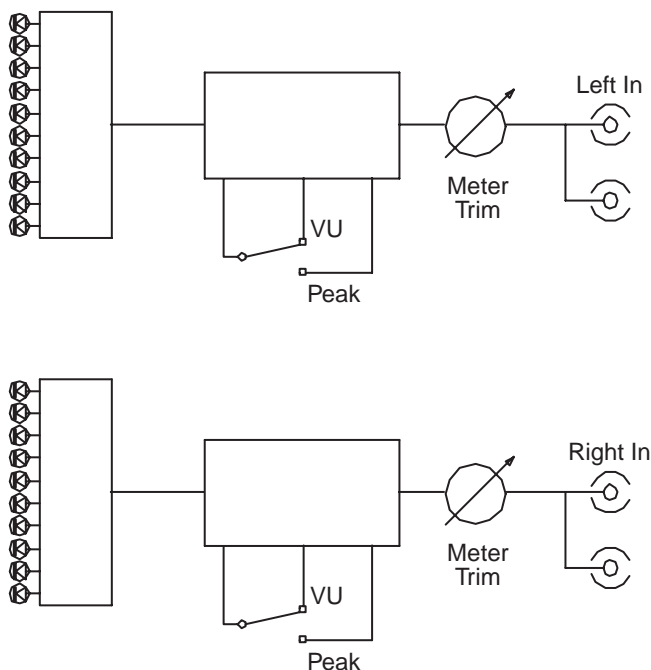
UB300 Stereo Level meter

The UB300 provides visual monitoring of two signals via 10 segment, three colour LED bargraphs. Meter ballistics can be selected to either Peak or VU and calibrated by front panel trimmers. Duplicated rear panel connectors allow easy patching into the audio path. Inputs are unbalanced high impedance. For balanced operation use in conjunction with a UB295 or UB295T module.

CONNECTIONS AND CONTROLS



BLOCK DIAGRAM



SPECIFICATIONS

Frequency Response	+0/-1dB, 20Hz to 40kHz
Input impedance	100k unbalanced
Input level	-10dBu to +8dBu
Rise time	10ms Peak 300ms VU
Release time	2s Peak 400ms VU
POWER SUPPLY	+/-15V @ 30mA



In keeping with our policy of continuous improvement LA Audio reserves the right to alter specifications without prior notice. Manufactured in the UK by LA Audio, 6-24 Southgate Road, London, N1 3JJ.

Tel: +44 (0)207 923 7447, FAX: +44 (0)207 241 3644. Web: www.laaudio.co.uk. email: sales@laaudio.co.uk

An SCV International Group Company

Rev 1.0 11/00.