

# SPX20

Stereo 6 Channel, Dual output Source Preamp



## PRODUCT OVERVIEW

The SPX20 is a six input stereo source selector designed to extend the number of monitor returns available on a mixing console. Equally it can be used to select up to 6 music sources and distribute these to 2 zones with separate level control and on-off switching for each zone.

Channel one has an input level control to facilitate on-the-fly adjustment, while the other inputs feature screwdriver level trimmers providing adjustment for +4dBu and -10dBV signal levels and balancing volumes between sources. Additionally channel one features front panel jack sockets in parallel to the rear panel inputs to facilitate direct connection of an instrument.

Inputs are selected by momentary action buttons that also allow more than one input to be selected and mixed to the output. Switching from one source to another is CMOS controlled and silent.

Two separate outputs with level controls and on-off switching provide a means of selecting and balancing levels between different types of monitors. A front panel headphone output is also provided with separate level control.

A master output DIM button provides 20dB of attenuation and a Mono sum switch is provided for connection of mono sources.

## SPECIFICATIONS

### ELECTRICAL

Frequency response:	±1dB, 20Hz to 20kHz
Distortion:	<0.01%
Noise:	< -90dB (at unity gain)
Input impedance:	20k
Output impedance:	<100R
Input trim range:	±10dB
Output level 1 & 2:	Off to +10dB
DIM:	-20dB

Power Consumption: 7VA, 115/230VAC, 50/60Hz

### PHYSICAL

Connector Types:	
Input 1:	Electronically balanced, XLR-F wired pin 2 = hot
Input 2 & 3:	Electronically balanced, TRS jack wired Tip = hot
Input 4:	Unbalanced, Phono
Input 5:	Unbalanced, Phono
Input 6:	Unbalanced, Phono
Output 1 & 2:	Ground sensing, 1/4" TRS jack, wired tip = hot
Record Out:	Phono connector
Power:	Detachable Lead, 3 pin IEC
Dimensions:	483mm (19") W 150mm (6") D 44mm (1.75")
Weight:	Unit 2.2kg Shipping 2.85kg



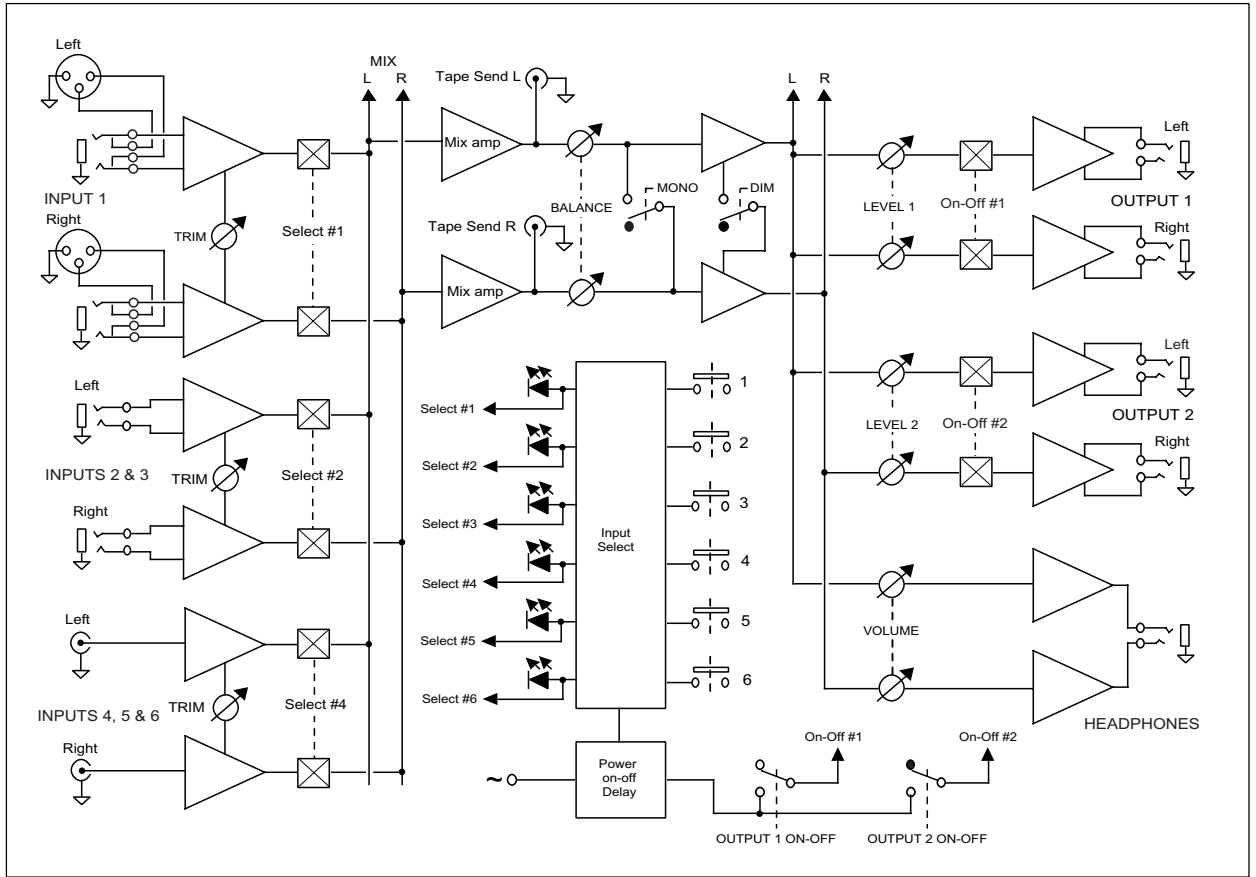
British  
Originals

In keeping with our policy of continuous improvement LA Audio reserves the right to alter specifications without prior notice. Manufactured in the UK by LA Audio, 6-24 Southgate Road, London, N1 3JJ.  
Tel: +44 (0)207 923 7447, FAX: +44 (0)207 241 3644. Web: [www.laaudio.co.uk](http://www.laaudio.co.uk). email: [sales@laaudio.co.uk](mailto:sales@laaudio.co.uk)  
An SCV International Group Company

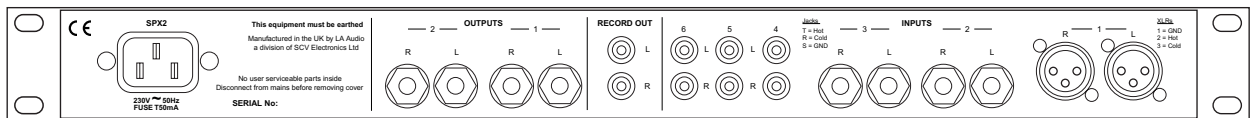
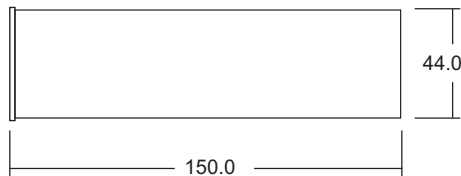
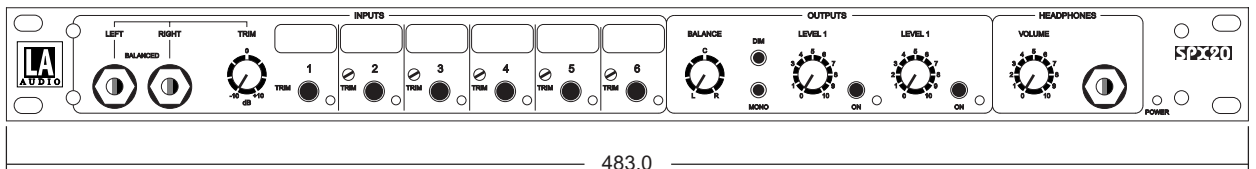
# SPX20

## Stereo 6 Channel, Dual output Source Preamp

### BLOCK DIAGRAM



### DIMENSIONS



British  
Originals

In keeping with our policy of continuous improvement LA Audio reserves the right to alter specifications without prior notice. Manufactured in the UK by LA Audio, 6-24 Southgate Road, London, N1 3JJ.  
Tel: +44 (0)207 923 7447, FAX: +44 (0)207 241 3644. Web: [www.laaudio.co.uk](http://www.laaudio.co.uk). email: [sales@laaudio.co.uk](mailto:sales@laaudio.co.uk)  
**An SCV International Group Company**