

# MD8

## 8 Channel Active DI Box Rackmounting



### PRODUCT OVERVIEW

The model MD8 is an eight channel Direct Injection box using advanced circuitry to provide very low noise and distortion.

Each channel has a high impedance input with link facility for connection to an instrument amplifier, and two outputs, one unbalanced and one electronically balanced.

Three switches offer high or low level input selection, output gain of 0 or 20dB and ground lift facility. The unit operates on phantom powering or on an internal supply.

The rack mounting design of the unit makes it suitable for synthesisers and drum machines in the studio and PA applications.

### SPECIFICATIONS

#### ELECTRICAL

Frequency response:	20Hz-20kHz (+0 -2dB)
Signal to Noise ratio:	> 96dB (0dB gain) > 82dB (+20dB gain)
Input impedance:	Normal: 1M Pad: 10k
Output impedance:	330R (Balanced) 2k2 (Unbalanced)
Load impedance:	>300R (Balanced) >2k (Unbalanced)
THD:	< 0.08% (0dB Gain) < 0.12% (+20dB Gain)
Phantom Power:	15-48 volts
Phantom current:	1mA per channel 1k2 load
Power requirement:	6VA, 100, 110, 230V 50-60Hz

#### PHYSICAL

Connectors: Input:	1/4" jack
Link:	1/4" jack
Unbalanced Output:	1/4" jack
Balanced output:	Male XLR 3 pin (Pin 2 hot)
Dimensions (mm):	483 (19")W 133.5 (5.25")H 170 (6.7")D
Weight:	4.1kg (9lbs)
Shipping weight:	5kg (11lbs)
Operating temperature:	0°C to +50°C
Storage temperature:	-30°C to +75°C



British  
Originals

In keeping with our policy of continuous improvement LA Audio reserves the right to alter specifications without prior notice. Manufactured in the UK by LA Audio, 6-24 Southgate Road, London, N1 3JJ.  
Tel: +44 (0)207 923 7447, FAX: +44 (0)207 241 3644. Web: [www.laaudio.co.uk](http://www.laaudio.co.uk). email: [sales@laaudio.co.uk](mailto:sales@laaudio.co.uk)  
An SCV International Group Company

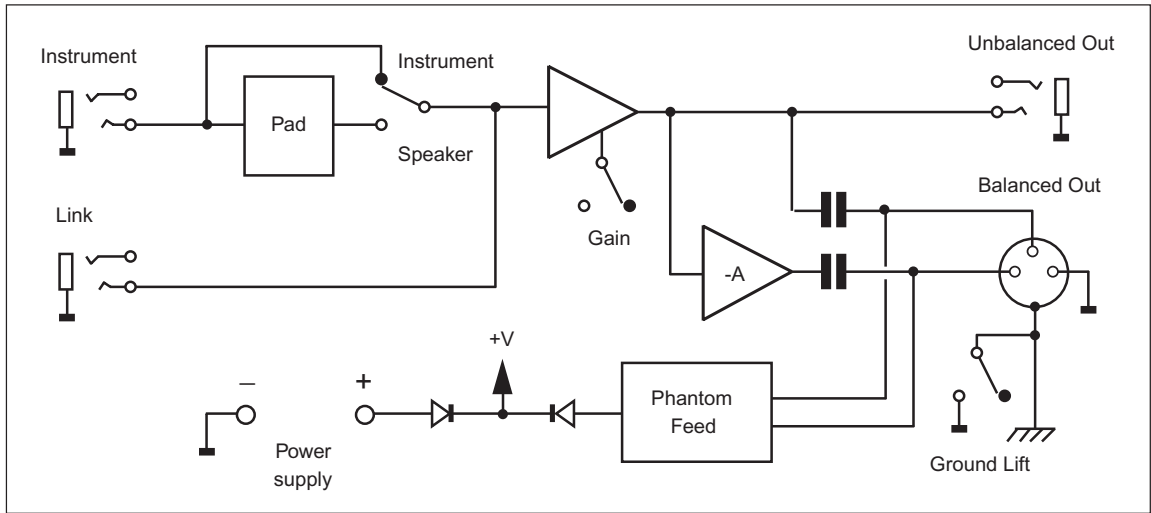
# MP8

## 8 Channel Active DI Box Rackmounting

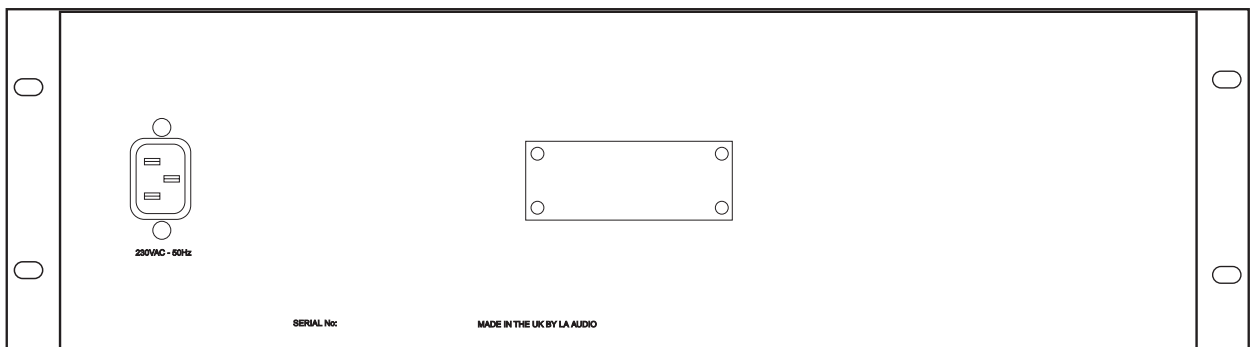
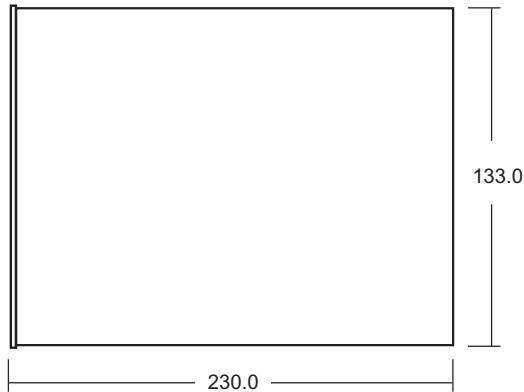
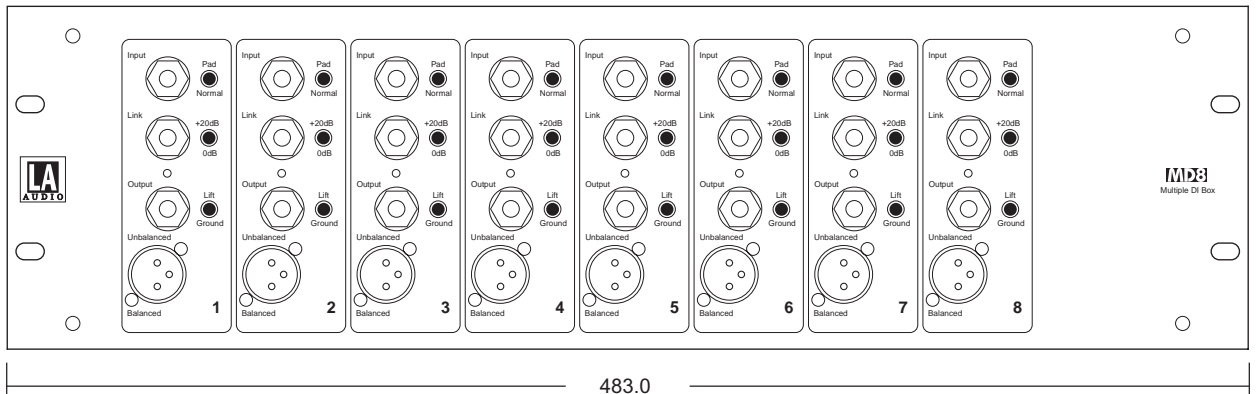


British  
Originals

### BLOCK DIAGRAM



### DIMENSIONS



In keeping with our policy of continuous improvement LA Audio reserves the right to alter specifications without prior notice. Manufactured in the UK by LA Audio, 6-24 Southgate Road, London, N1 3JJ.  
Tel: +44 (0)207 923 7447, FAX: +44 (0)207 241 3644. Web: [www.laaudio.co.uk](http://www.laaudio.co.uk). email: [sales@laaudio.co.uk](mailto:sales@laaudio.co.uk)  
An SCV International Group Company