

EQX20

Dual 3 Band / Mono 6 Band Variable Q Parametric EQ



British
Originals



PRODUCT OVERVIEW

The EQX20 is a professional two channel 3 band Parametric Equaliser that may also be configured as a mono 6 band unit.

Each band offers variable frequency and 15dB cut and boost. Additional control is derived from a variable Q (bandwidth) control on each band.

Each channel is also equipped with a high pass filter switch to remove subsonics and a Bypass switch.

APPLICATIONS

Uses for the TCX20 include -

- PA Equalisation
- Suppressing Feedback and Ringing
- Removing damaging subsonics
- Creating 'space' for solo instruments/vocals
- Adding sparkle and reducing boom
- Special effects

SPECIFICATIONS

ELECTRICAL

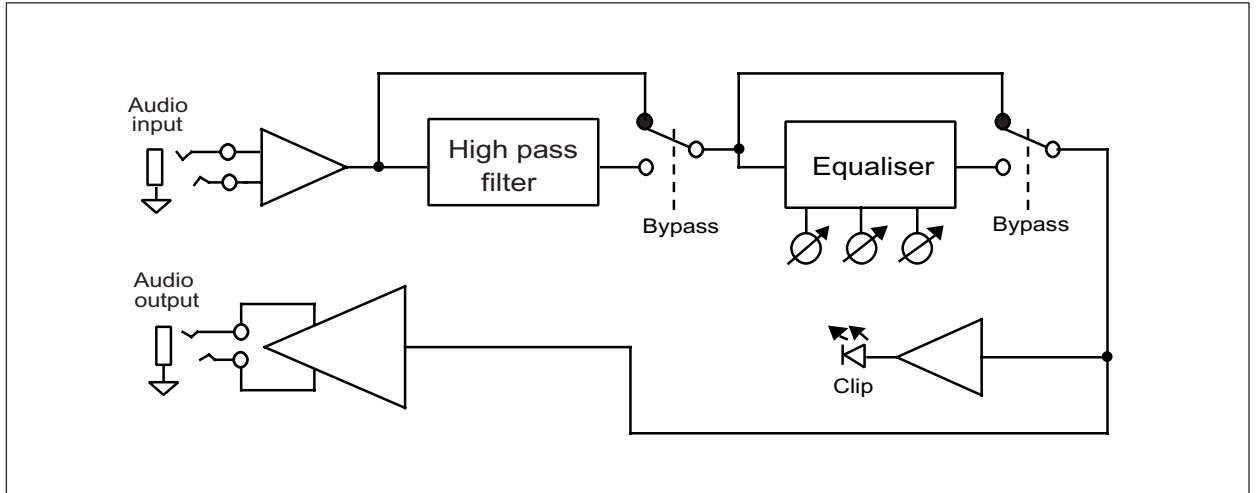
Operating Levels:	-10dBu on TRS jack +4dBV on XLR
Frequency response:	±1dB, 20Hz to 20kHz
Input impedance:	20k balanced
Output impedance:	<100R ground sensing
Maximum input level:	+20dBu
Maximum output level:	+20dBu
Peak indicator:	3dB before clipping
Noise:	<-86dBu
THD:	< 0.01%
Filter Gain range:	±15dB
Filter ranges:	LF: 20Hz to 1kHz MF: 200Hz to 8kHz HF: 500Hz to 20kHz
Bandwidth (Q):	1/12th to 3 Octaves
High Pass Filter:	75Hz, -12dB/Octave
Power Consumption:	7VA, 115/230VAC, 50/60Hz

PHYSICAL

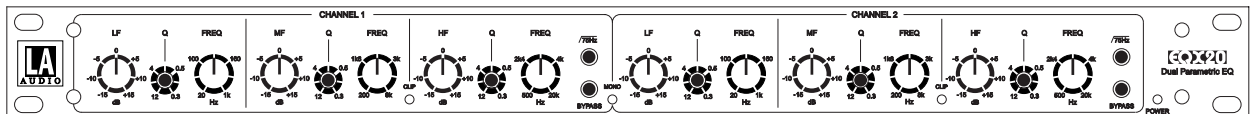
Input connectors:	3 pin XLR (Pin 2 hot) Ø TRS jack (Tip hot)
Output connectors:	3 pin XLR (Pin 2 hot) Ø TRS jack (Tip hot)
Power Connection:	Detachable Lead, 3 pin IEC socket
Dimensions:	483mm (19")W 150mm (6")D 44mm (1.75")H
Weight:	2.2kg
Shipping weight:	2.85kg

In keeping with our policy of continuous improvement LA Audio reserves the right to alter specifications without prior notice. Manufactured in the UK by LA Audio, 6-24 Southgate Road, London, N1 3JJ.
Tel: +44 (0)207 923 7447, FAX: +44 (0)207 241 3644. Web: www.laaudio.co.uk. email: sales@laaudio.co.uk
An SCV International Group Company

BLOCK DIAGRAM



DIMENSIONS



483.0

