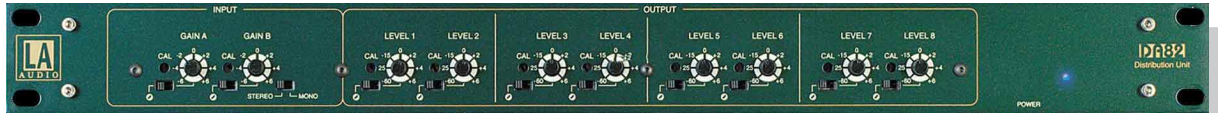


# DA82

Distribution Amplifier - 1:8 mono or 1:4 Stereo



British  
Originals



## PRODUCT OVERVIEW

The DA82 is a compact Distribution Amplifier that may be configured for 1 into 8 mono or 2 into 4 stereo applications.

A useful feature is the CAL/UNCAL switch on each of the inputs and outputs. This function switches control of the input sensitivity and output level between front panel accessible trimmers (CAL position) and rotary potentiometers (UNCAL position) to cater for permanent set up or user variable applications. Both the inputs and outputs are electronically balanced on XLR's.

The DA82 is ideal for O/B vans, sound reinforcement systems, theatres and any application requiring ease of installation and operation.

## SPECIFICATIONS

### ELECTRICAL

Frequency response:	20Hz to 20kHz (+0, -0.5dB)
Input Impedance:	20k balanced
Maximum Input Level:	+20dBu
Input Gain:	Adjustable -8 to +6dB
Output Impedance:	75R balanced
Load Impedance:	> 600R
Max. Output Level:	+20dBu
Output Gain:	Adjustable -60 to +6dB
THD:	< 0.05% (1kHz, +4dBu)
Signal to Noise Ratio:	> 98dB +4dBu out, 22Hz- 22kHz
Power Requirement:	6VA, 115/230V AC, 50/60Hz

## PHYSICAL

Input Connectors:	XLR 3 pin (Pin 2 hot)
Output Connectors:	XLR 3 pin (Pin 2 hot)
Power Connection:	IEC 3 pin socket, Detachable lead
Dimensions (mm):	482 (19") W 164 (6.5") D 44 (1.75") H
Weight:	2.9 kg, 6lbs
Shipping Weight:	3.6kg, 8lbs
Temperature Range:	Operating 0°C to 50°C Storage -30°C to 75°C

## ARCHITECTS & ENGINEERS SPECIFICATIONS

The Distribution Amplifier shall be a 1U unit providing 2 into 4 and 1 into 8 signal distribution.

The input section shall provide two balanced inputs on XLRs with input levels controllable via front panel trimmers and rotary potentiometers. A slide switch shall switch between each calibration device. A further slide switch shall switch between mono and stereo signal routing. The input gain range shall be -6 to +6dB.

The outputs shall be balanced on XLRs with output levels controllable via panel trimmers and rotary potentiometers. A slide switch shall switch between each calibration device. The output gain range shall be -60 to +6dB.

The Distribution Amplifier shall be constructed in accordance with the directives encompassed within the 'CE' regulations and so marked.

The Distribution Amplifier shall be an LA Audio DA82.

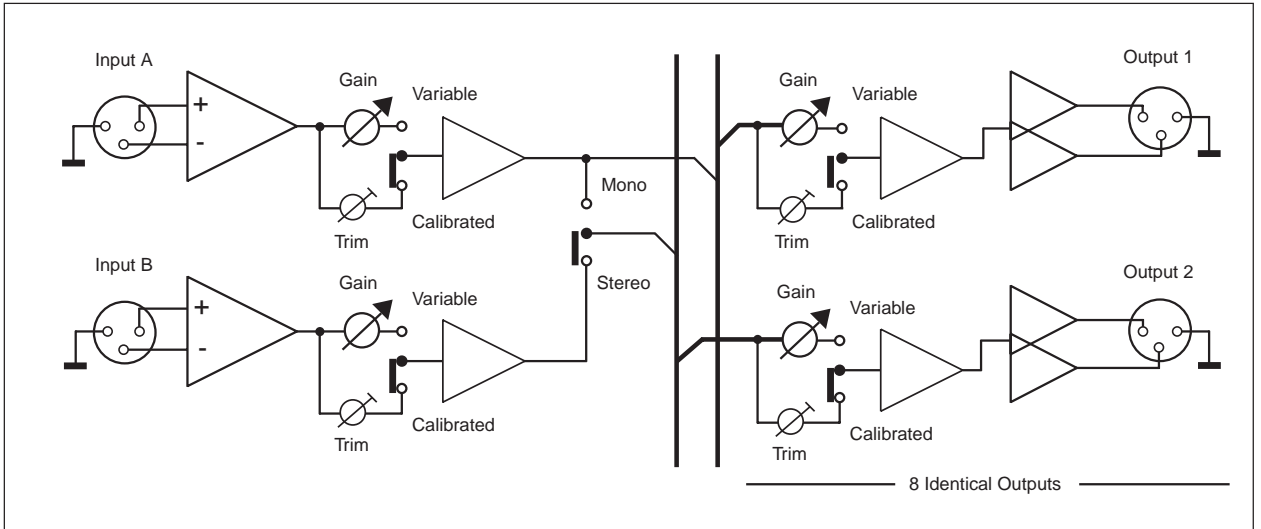
PA82

Distribution Amplifier - 1:8 mono or 1:4 Stereo

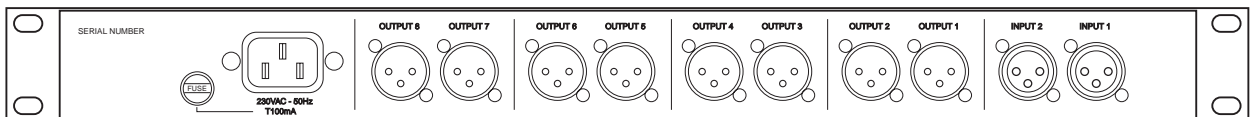
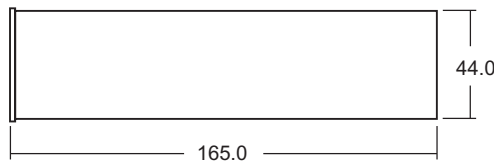
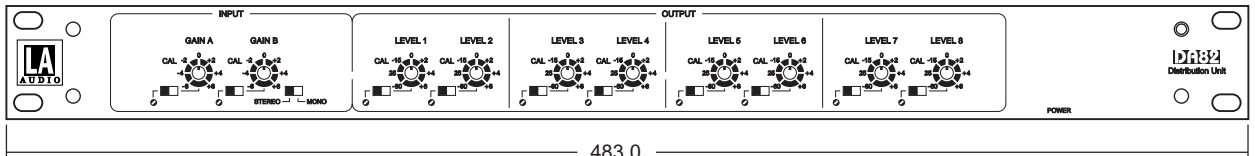


British Originals

### BLOCK DIAGRAM



### DIMENSIONS



In keeping with our policy of continuous improvement LA Audio reserves the right to alter specifications without prior notice. Manufactured in the UK by LA Audio, 6-24 Southgate Road, London, N1 3JJ. Tel: +44 (0)207 923 7447, FAX: +44 (0)207 241 3644. Web: [www.laaudio.co.uk](http://www.laaudio.co.uk). email: [sales@laaudio.co.uk](mailto:sales@laaudio.co.uk)  
**An SCV International Group Company**