



3 Way Stereo Headphone Splitter



PRODUCT OVERVIEW

The CB3 'Canbox' is a passive headphone splitter that distributes the output of a power amplifier to 3 sets of headphones.

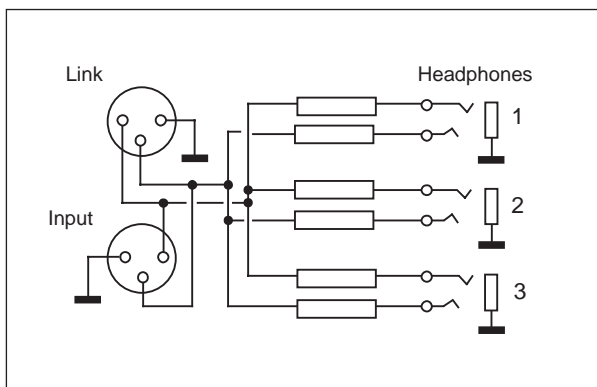
Canbox units may be linked together to allow multiple distribution of the signal at localised points. Up to 25 x 8R and up to 150 x 600R headphones may be fed from a single source.

Each headphone output has a protection circuit that allows headphones of differing impedance's to be used on the same line.

Applications of the CanBox include:

- Studio foldback monitoring
- Language laboratory distribution
- In-ear monitoring for large bands and orchestras

BLOCK DIAGRAM



SPECIFICATIONS

ELECTRICAL

Max input level: 100W @ 8R
 Headphones: 8R to 600R

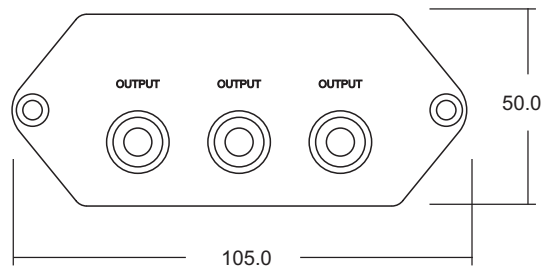
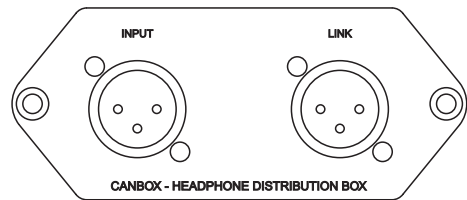
PHYSICAL

Connectors: Input: XLR 3 Pin Female
 Link: XLR 3 pin Male
 Output: 1/4" TRS jack

Dimensions (mm): 105 (4.2") W
 125 (4.9") D
 50 (1.96") H

Weight: 0.3kg
 Shipping weight: 0.35kg

DIMENSIONS



British Originals

In keeping with our policy of continuous improvement LA Audio reserves the right to alter specifications without prior notice. Manufactured in the UK by LA Audio, 6-24 Southgate Road, London, N1 3JJ.
 Tel: +44 (0)207 923 7447, FAX: +44 (0)207 241 3644. Web: www.laaudio.co.uk. email: sales@laaudio.co.uk
 An SCV International Group Company