

## OVERVIEW

The ZX-GPO-1 provides six user programmable outputs for use with the PubMix digital control NETWORK. Each output can be programmed to operate in response to RUN MODE commands such as Input Select, Mute, etc.

All outputs are relay switched and can be configured to provide normally open/closed contacts or a switched output voltage. Power for the switched voltage mode is provided by an external source via the EXTERNAL POWER connector. Each output can provide a steady state output for operating lamps, relays, etc. and separate RUN MODE commands can be assigned to switch an output on and off. A pulse mode is also available where outputs switch for a short duration which can be used to trigger tape-cartridge machines, etc. In this mode each assigned command produces an output pulse. This arrangement of switching contacts or an externally powered voltage output provides the installer flexibility when interfacing with systems with differing power levels and/or grounding.

SELECT buttons with ACTIVE led indicators allow quick and easy programming of each output. These double-up as test buttons during installation and the ACTIVE leds also show the status of each output during normal operation.

A pair of RJ45 connectors are provided to allow easy integration into the PubMix network. All Outputs are on plug-in Phoenix type connectors with screw terminal cable connections.

## KEY FEATURES

- 6 channels of user programmable, relay switched outputs
- Normally open/Normal closed contacts or switched voltage mode
- Steady state or pulsed output modes
- Separate power supply connection for voltage mode
- Channel SELECT buttons with ACTIVE led indicators
- Screw terminal, Phoenix plug-in cable connections

## SPECIFICATIONS

### ELECTRICAL

Relay max. voltage:	30Vac
Relay max. current:	1A/12VDC, 0.5A/30Vac
Via Network RJ45	+6.5V minimum
Power NETWORK:	+9V min, +18V max
Power EXTERNAL:	+30Vac/dc max

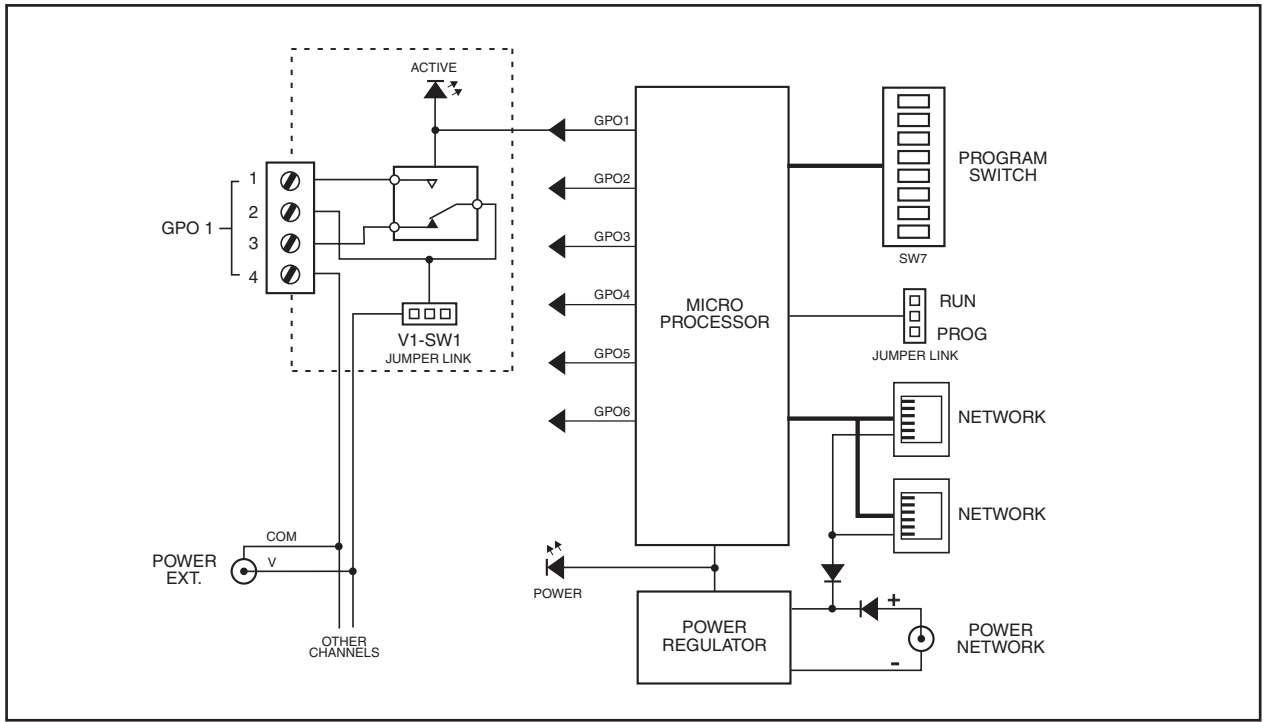
### PHYSICAL

Output Connectors:	Pluggable Phoenix, 4 way
--------------------	--------------------------

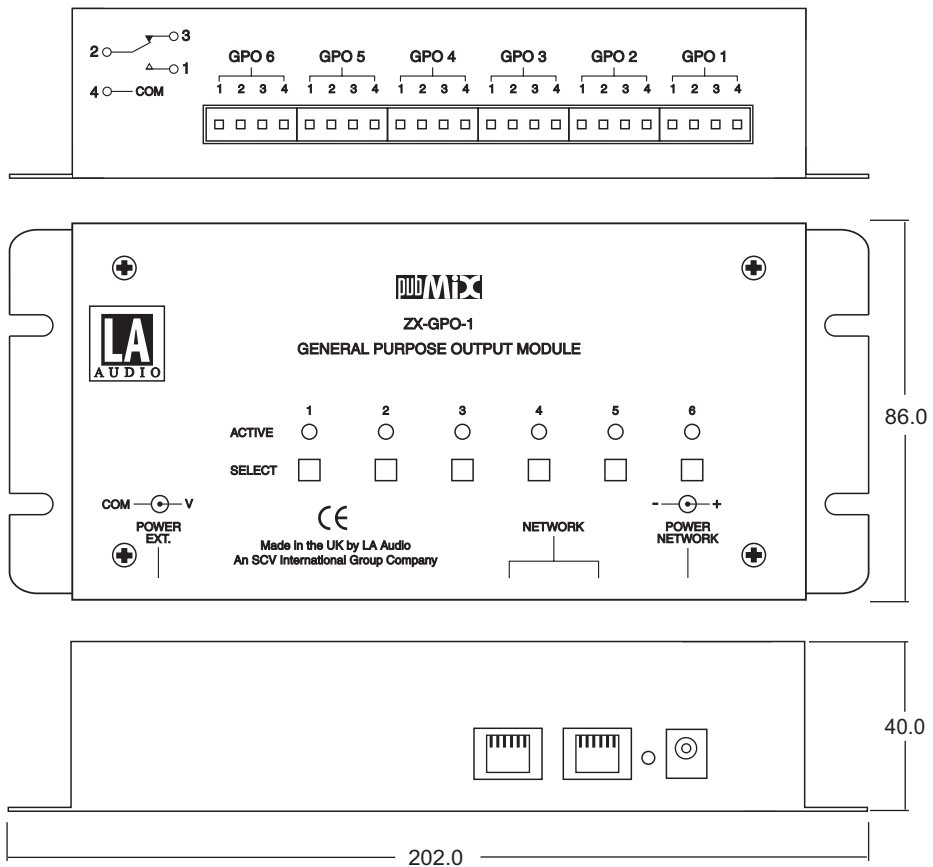
Network connectors:	RJ45 to suit CAT5 cables
Power connectors:	2.1mm pin DC jack, wired centre pin hot (+ve)
Size:	202 W x 86 D x 40 H
Weight:	TBA
Temperature:	Operating 0°C to 50°C Storage -30°C to 75°C

In keeping with our policy of continuous improvement LA Audio reserves the right to alter specifications without prior notice. Manufactured in the UK by LA Audio, 40 Chigwell Lane, Loughton, Essex, IG10 3NY, UK.  
Tel: +44 (0)208 418 0778, FAX: +44 (0)208 418 0624. Web: [www.laaudio.co.uk](http://www.laaudio.co.uk). email: [sales@laaudio.co.uk](mailto:sales@laaudio.co.uk)  
**An SCV International Group Company**

**BLOCK DIAGRAM**



**DIMENSIONS**



In keeping with our policy of continuous improvement LA Audio reserves the right to alter specifications without prior notice. Manufactured in the UK by LA Audio, 40 Chigwell Lane, Loughton, Essex, IG10 3NY, UK. Tel: +44 (0)208 418 0778, FAX: +44 (0)208 418 0624. Web: [www.laaudio.co.uk](http://www.laaudio.co.uk). email: [sales@laaudio.co.uk](mailto:sales@laaudio.co.uk)  
**An SCV International Group Company**