

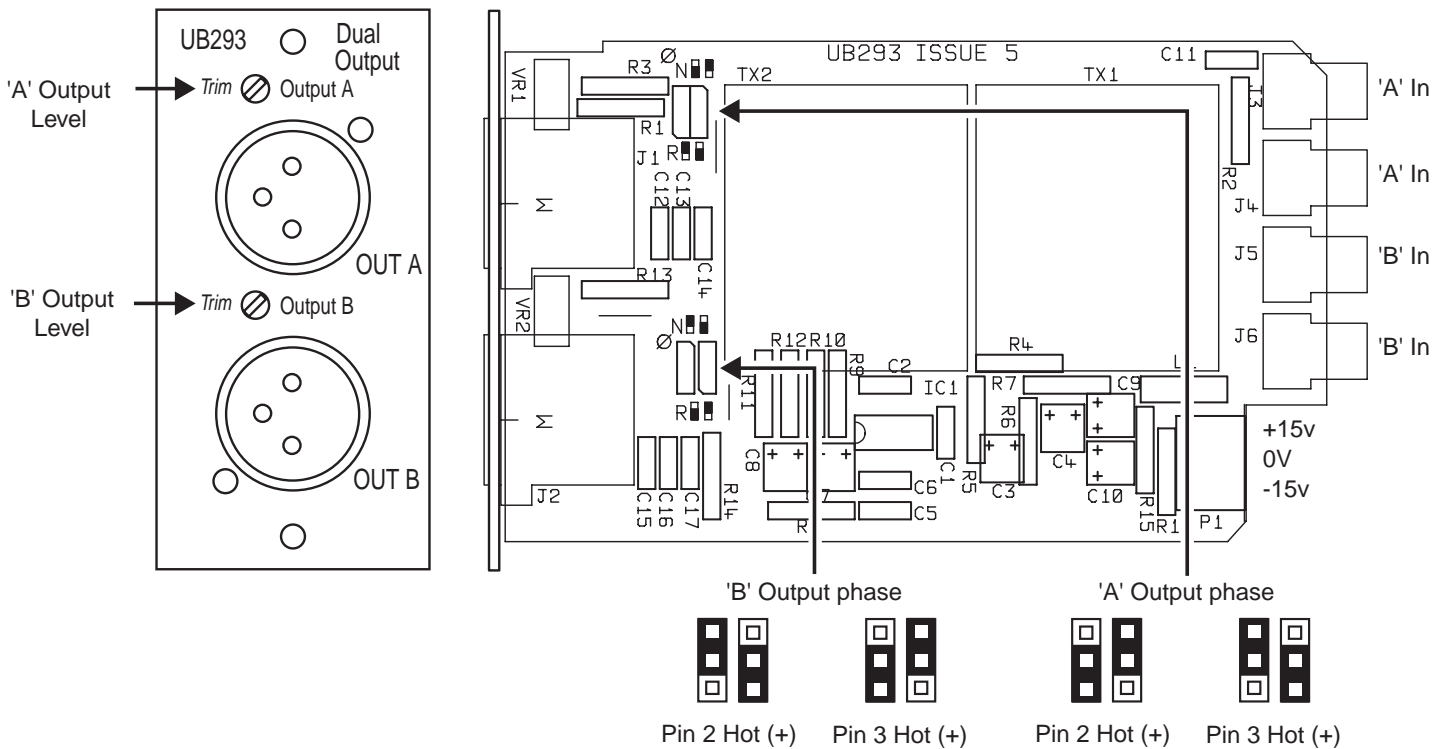
# UB293 Dual balanced Output module

The UB293 has two independently buffered transformer balanced output stages with front panel level trimming. Output pin configuration can be changed for Pin 2 or Pin 3 hot. Both inputs are unbalanced and have duplicated connectors to allow daisy chaining.

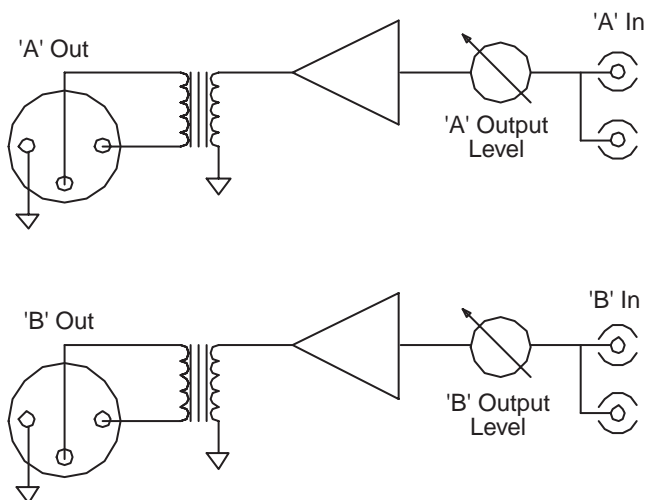
Both inputs are unbalanced and have duplicated connectors to allow daisy chaining.

This module is ideal for applications requiring several outputs with individual level adjustment.

## CONNECTIONS AND CONTROLS



## BLOCK DIAGRAM



## SPECIFICATIONS

### A and B SECTION

Input impedance	22k unbalanced
Output impedance	30R balanced
Input level	-7dBu nominal +20dBu maximum
Output level	+4dBu nominal +20dBu maximum
Gain range	Off to +12dB
Frequency Response	+0/-0.5dB, 20Hz to 20kHz
THD	< 0.007% @ 1kHz, +4dBu < 0.05% @ 20Hz, +20dBu
Signal to noise ratio	<-102dB

POWER SUPPLY +/-15V @ 20mA



In keeping with our policy of continuous improvement LA Audio reserves the right to alter specifications without prior notice. Manufactured in the UK by LA Audio, 6-24 Southgate Road, London, N1 3JJ.

Tel: +44 (0)207 923 7447, FAX: +44 (0)207 241 3644. Web: [www.laaudio.co.uk](http://www.laaudio.co.uk). email: [sales@laaudio.co.uk](mailto:sales@laaudio.co.uk)

An SCV International Group Company.

Rev 1.0 11/00.